

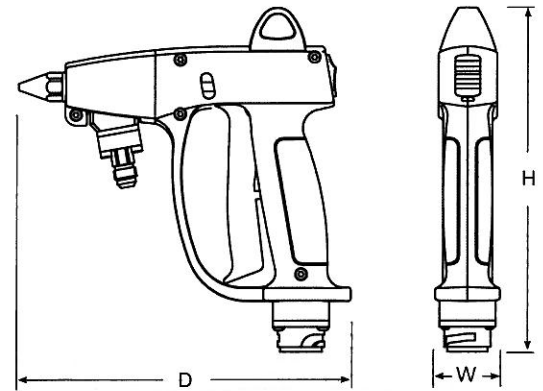
Dynamini™ / DG II™ Configured System

System	N05
Hopper Capacity	5k (10lbs)
Operating Temperature	40 to 218°C (100 to 425°F)
Melt Rate (per hour)*	8kg/hr (17.3lb/hr)
Pump Rate (piston)	.91kg/min (2lb/min)
Piston Pump Compression Ratios	12:1
Gear Pump	1.5, 3.2, & 4.5 cc/rev
Hose Output Zones	2
Maximum Working Hydraulic Pressure	6.8 MPa (1000psi) - Piston Pump
Temperature Control Stability	± 1°C (1°F)
Electrical Service Standard	100 to 120 VAC 1 Phase 50/60 Hz
Electrical Service Standard	200 to 240 VAC 1 Phase 50/60 Hz
Working Viscosity	500 - 50,000 cps

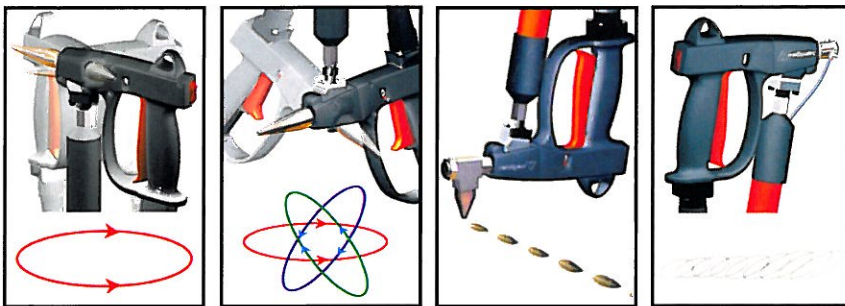
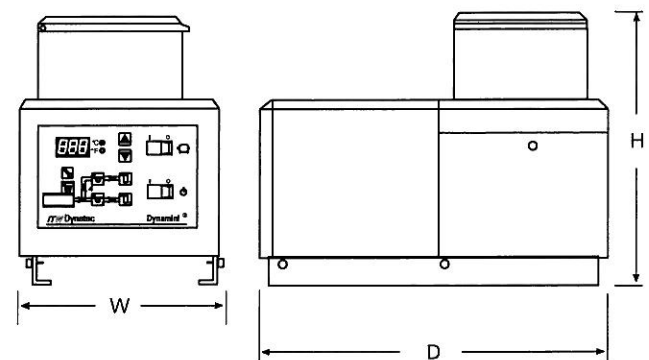
*Melt rates vary with adhesive type. All units capable of 2 hoses and applicators. Units can be fitted with a piston or gear pump.

Optional Specifications/Configurations
<ul style="list-style-type: none"> The ROTARY SWIVEL is useful when the hose is connected at the bottom of the hand applicator. The movement of the applicator can control the hose position. The BALL SWIVEL is useful when the hose is connected at the top of the hand applicator and the applicator is suspended from the hose or a tool balancer. Two- or four-finger trigger configurations available. Right angle bead and swirl nozzle configuration available. Electrical: 80 Watts at 120 or 240 VAC 1 Phase 50/60 Hz

Dimensions	DG II Hand Applicator
Height (H)	22.2cm (8.74in)
Depth (D)	22.5cm (8.86in)
Width (W)	4.2cm (1.65in)
Weight (empty)	.77kg (1.7lbs)



Dimensions	N05
Height (H)	45cm (17.75in)
Depth (D)	54cm (21.25in)
Width (W)	29cm (11.38in)
Weight (empty)	34.47kg (76lbs)



Rotary Swivel (four fingered trigger)

Ball Swivel (two fingered trigger)

Right Angle Bead Nozzle

Swirl Spray Nozzle



ASIA
 ITW Dynatec Hong Kong
 Unit A-B, 11/F., Leahander
 Centre 28
 Wang Wo Tsai Street
 Tsuen Wan NT Hong Kong

ON-HAND adhesives inc. 940 Telser Road • Lake Zurich, IL 60047
 Tel (847) 437-7773 • Fax (847) 437-8006
 Adhesives & Adhesive Dispensing Equipment
 1-800-323-5158 • <http://www.gluguru.com>

© 8/2008 ITW Dynatec
 ITW Dynatec reserves the right to discontinue or change specifications, designs, materials and equipment without notice or obligation.

Visit us at www.itwdynatec.com

Dynamini™ / DG II™ Configured System

DYNAMINI™ hot melt adhesive supply units provide exceptional value in a small hot melt unit which has been designed for optimal performance, reliability and simplified daily operation. The DG II™ is designed for flexibility and can be used in various configurations depending upon your application.

DYNAMINI™ Adhesive Supply Unit

- Melt-on-Demand Hopper Grid extends adhesive life and performance
- 7 year Melt-on-Demand hopper warranty
- Self-diagnostic P.I. digital Temperature controller with platinum sensor accuracy

DG II™ Hand Applicator

- Rotary swivel or ball swivel with top or bottom hose connections
- Ergonomic handle with a clear sight line to the nozzle tip
- Easy to change cartridge-style heater and sensor

Configured System Consists of:

- Dynamini™ adhesive supply unit
- Hot melt adhesive hose
- DG II™ hand applicator
- Bead or swirl nozzle

Flexibility

Rotary swivel or ball swivel with top or bottom hose connection configurations.

Reliability

Melt-On-Demand hopper extends adhesive life and performance.

Simplicity

Icon-driven control panel simplifies operations.



ITW Dynatec - Dynamini™ Series/DG II™ Configured System
Shown with optional cart, boom assembly, tool balancer, and hose cradle

The Dynatec Difference...

Melt-on-Demand Hopper

Most suppliers will agree that adhesive degradation is the number one cause of downtime on hot melt equipment. To address this problem, ITW Dynatec has patented a "Melt-On-Demand" system. ITW Dynatec's vertical, unheated hoppers only melt the amount of adhesive required by the application. Most of the hot melt adhesive in the hopper remains at a

much lower temperature, perhaps even solid state. The added benefits of melting only the adhesive required are quicker start-ups, reduced energy costs, better viscosity control, and reduced fumes.

