

For information Contact

1-800-323-5158

Product Description Sheet
Hysol® Wheelcoater Hot Melt Applicator

Part # 98038

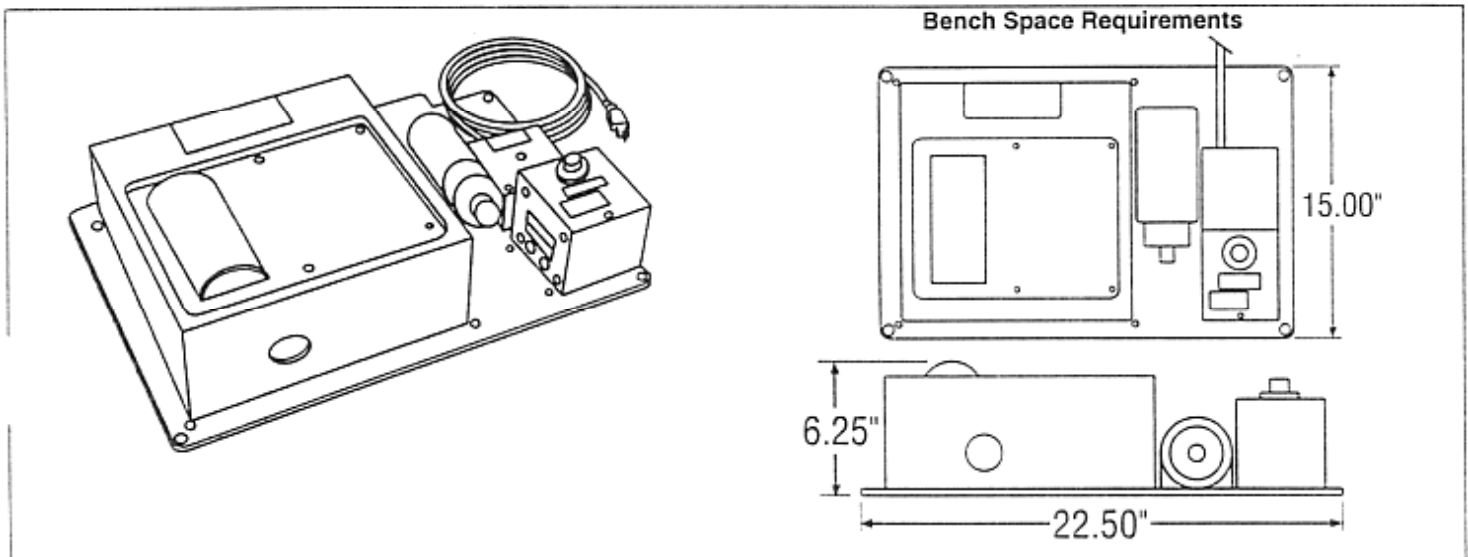
North American Equipment, August 2001

PRODUCT DESCRIPTION

Loctite® Hysol® Wheelcoater Hot Melt Applicator is a bottom roll coater used for one side coating by drawing the object across the surface of the knurled coating wheel. The product is designed to heat, melt and dispense all Loctite Hysol structural hot melt products. The Wheelcoater is ideally suited for foam fabrication operations, adhesive pick up is controlled by an adjustable doctor blade.

PRODUCT FEATURES

- 6" wide coating wheel
- Variable speed: 5 to 40 feet per minute
- Glue pot capacity 3 pounds
- Fixed temperature: 375°F
- Overload safety clutch



Technical Data

- Utilities: 120 VAC, 50/60 Hz, single phase,
- Heat-up time: 30 minutes
- Heater: 1,100 Watt
- Weight: 58 Pounds

Wheelcoater Applicator P/N 98038 includes:

- Instruction manual - P/N 985317
- Hysol Wheelcoater Hot Melt Applicator

NOT FOR PRODUCT SPECIFICATIONS
PLEASE CONTACT LOCTITE CORPORATION FOR ASSISTANCE: 1-800-LOCTITE (1-800-562-8483)

The data contained herein are furnished for information only and are believed to be reliable. We cannot assume responsibility for the results obtained by others over whose methods we have no control. It is the user's responsibility to determine suitability for the user's purpose of any production methods mentioned herein and to adopt such precautions as may be advisable for the protection of property and of persons against any hazards that may be involved in the handling and use thereof. In light of the foregoing, LOCTITE CORPORATION SPECIFICALLY DISCLAIMS ALL WARRANTIES EXPRESSED OR IMPLIED, INCLUDING WARRANTIES OF MERCHANTABILITY OR FITNESS FOR A PARTICULAR PURPOSE, ARISING FROM SALE OR USE OF LOCTITE CORPORATION'S PRODUCTS. LOCTITE CORPORATION SPECIFICALLY DISCLAIMS ANY LIABILITY FOR CONSEQUENTIAL OR INCIDENTAL DAMAGES OF ANY KIND, INCLUDING LOST PROFITS. The discussion herein of various processes or compositions is not to be interpreted as representation that they are free from domination of patents owned by others or as a license under any Loctite Corporation patents that may cover such processes or compositions. We recommend that each prospective user test his proposed application before repetitive use, using this data as a guide. This product may be covered by one or more United States or foreign patents or patent applications.

Loctite and Hysol are trademarks of Loctite Corp. U.S.A.